

LANBrick IV

Migrate coax and twinax printers into a LAN environments

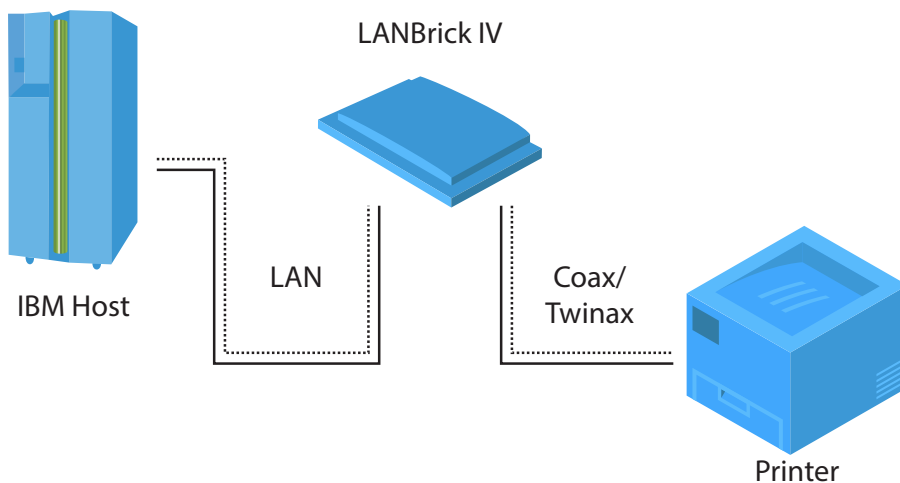
The MPI Tech LANBrick™ IV is the only and obvious choice when existing coax and twinax attached AFP/IPDS and Non-IPDS printers should be moved into an Ethernet LAN environment.

The solution preserves existing investments of printing equipment as well as it removes the need for double cabling systems. LANBrick is completely transparent to the Host print job data stream and thus requires no changes to existing applications.

For further ease of use and setup, LANBrick IV supports PoE (Power over Ethernet) and automatic network configuration via DHCP.

The MPI Tech LANBrick IV is designed for Ethernet networks and supports 10Base-T (RJ45 connector) networks.

The LANBrick IV operates with IBM PSF/MVS, IBM PSF/400, IBM PSF/2 and PSF for AIX Version 2.1 to provide LAN connectivity for IBM compatible midrange and mainframe IPDS and Non-IPDS printers.



Key features

- ✓ Connects Coax or Twinax printers into LAN environment
- ✓ Preserves Existing Investments
- ✓ Supports Coax or Twinax Printers
- ✓ True Migration
- ✓ No Changes to existing applications are required
- ✓ Supports TCP/IP
- ✓ Supports PoE (Power over Ethernet)

Attachment

LANBrick IV

Ethernet 10Base -T (IEEE 802.3)

AFP/IPDS System Support

IBM System z® (MVS)

IBM System i®

IBM RS/6000

IBM PS/2

Direct LAN IPDS Printing Requirements

System z®

PSF MVS ver. 2.2 or higher incl. PTFs

TCP/IP for MVS ver. 3.1

System i®

PSF/400

OS/400 V3R1 or higher incl. PTFs

OS/400 V3R6 (RISC) or higher incl. PTFs

RS/6000

PSF/6000 ver. 1.2.0 or higher

PS/2

OS/2+PSF/2 ver. 1.10 incl. CSDs

Indirect LAN IPDS Printing Requirements

System z®

PSF for MVS rel. 2.1 or higher incl. PTFs

System i®

OS/400 V3R1 or higher incl. PTFs

Supported IPDS printers

- IBM 3112/3116

- IBM 3812/3816

- IBM 3912/3916

- IBM 3930

- IBM 4028 AS1/NS1

- IBM 4230

- IBM 4312/4317/4324

- IBM 6408/6412

MPI Tech coax/twinax IPDS solutions

Other IPDS printers compatible with the above

Supported Non-IPDS printers

Any IBM or IBM compatible SCS Coax or DCA Twinax printer*

MPI Tech coax/twinax SCS/DCA solutions

Other SCS/DCA printers compatible with the above

*Non-IPDS Twinax coupled SCS matrix printers are not supported

Features

Connects IBM IPDS or Non-IPDS compatible coax/twinax printers to the LAN

Uses routable protocol (TCP/IP)

Coax or Twinax printer connection

Set-up

via DHCP

MPI Tech PrintGuide

Web browser

Approvals

UL, cUL, CE

Regulatory information

Safety

2006/95/EC - Low voltage directive:

- EN60950-1:2006
- IEC 60950-1 Ed. 2.0:2005, UL 60950-1 2nd ed., (CAN/CSA-C22.2 No. 60950-1-07)

EMC

2004/108/EC - EMC directive:

- EN 55022: 2006, Class B
- EN 55024: 1998 + A1:2001 + A2:2003

FCC 47 CFT Part 15, Class A

Environmental

- 2011/65/EC - RoHS directive
- 2003/108/EC - WEEE directive
- 2006/122/EC - PFOS directive
- 2006/1907/EC - REACH directive

Warranty

1 year manufacturing fault warranty

Size / Weight

235 x 165 x 30mm / 9.3 x 6.5 x 1.2"

Weight: 385g / 13.6oz / 0.8lb

Power Requirements

5 VDC @ 500mA (Power supply incl.)

or

PoE (Power over Ethernet) class 1

Versions

- LANBrick IV Coax SCS + IPDS
- LANBrick IV Twinax SCS/DCA + IPDS

Our offices

France

40, rue du Général Malleret Joinville
BP 88 - 94402 Vitry sur Seine Cedex
Phone: +33 (0)1 4573 0940
Fax: +33 (0)1 4680 7071
E-mail: sales.fr@mpitech.com

Denmark

Vadstrupvej 35
DK-2880 Bagsvaerd
Phone: +45 4436 6000
E-mail: sales.dk@mpitech.com

United Kingdom

Anchor House, 50 High Street
Bagshot GU19 5AW
Phone: +44 (0)844 800 9803
Fax: +44 (0)1276 452 379
E-mail: sales.uk@mpitech.com

Germany

Bavariastrasse 7a
D-80336 Muenchen
Phone: +49 (0)89 35 4762 20
Fax: +49 (0)89 35 4762 11
E-mail: sales.de@mpitech.com

North America - West Coast

4952 Warner Avenue, Suite 301
Huntington Beach, CA 92649-5506
Phone: +1 (714) 840 8077
Fax: +1 (714) 840 2176
E-mail: sales.us@mpitech.com

North America - East Coast

2001 Jefferson Davis Highway, Suite 306
Arlington, VA 22202
Phone: +1 (703) 418 0680
Fax: +1 (703) 418 0684
E-mail: sales.us@mpitech.com



D16110-009 January 2016

Company and product names mentioned in this text are trademarks or registered trademarks of their respective owners. MPI Tech A/S cannot be held responsible for any technical or typographical errors and reserves the right to make changes to products and documentation without prior notification.